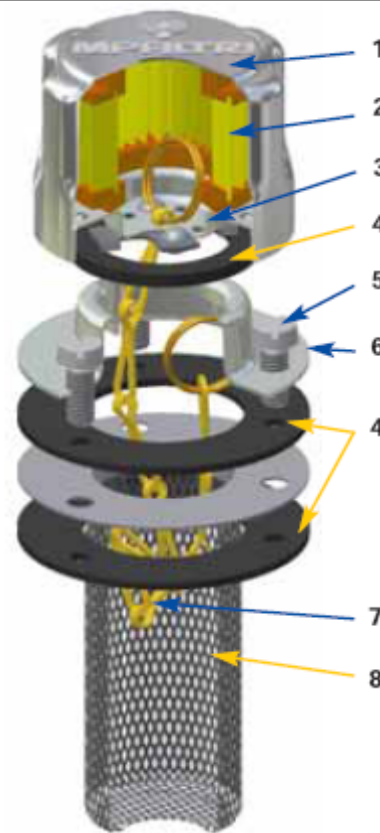




TA 46

OIL FILLER AND AIR BREATHER FILTER

1 – MATERIALS



1	Cover	Chrome plated steel
2	Filter element	Impregnated paper
3, 6	Flange	Galvanised steel
4	Seals	NBR
5	Screws	Galvanised steel
7	Chain, ring	Brass
8	Basket	Galvanised steel

2 – TECHNICAL FEATURES

Flow rates with $\Delta p = 0,02$ bar		
Filtration	Flow rate (litres/min)	Weight
3 μm	150	0,100 kg

3 – IDENTIFICATION

TA46	B	03	A	0	C	1	P01
-------------	----------	-----------	----------	----------	----------	----------	------------

Connection to reservoir:

B = flange with bayonet connection

Filter element:

03 = 3 µm - impregnated paper

Seal:

A = NBR

Options:

P01 = MP Filtri standard

Basket:

1 = L 65 mm

Variants:

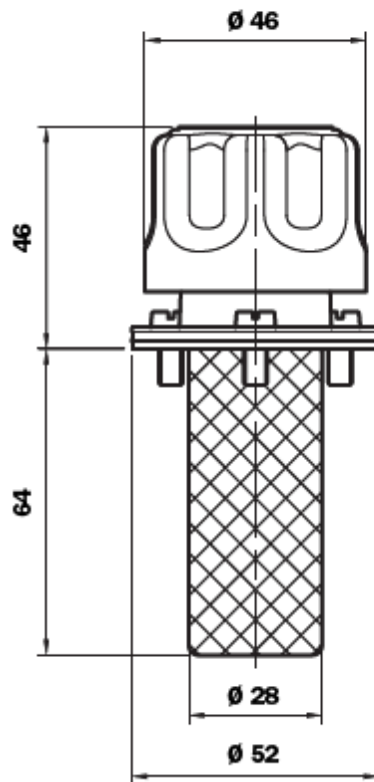
C = with chain

Valves:

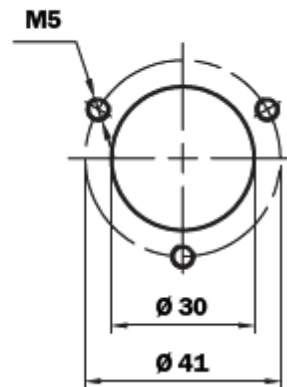
0 = without valves

4 – DIMENSIONS

Bayonet connection



Reservoir holes



1 – HT reserves the right to change information of this catalog without previous warning.

2 – Copy is forbidden.

3 – If not indicated, dimensions in millimetres.

