

HM

PRESSURE GAUGE

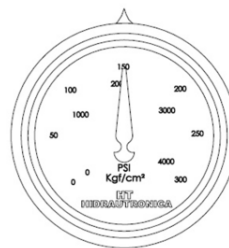
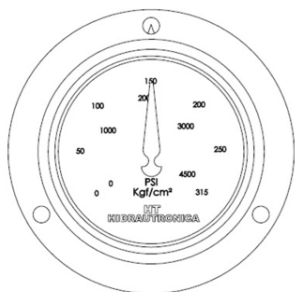


Pressure scale:

10 – 30 – 50 – 100 – 200 –
250 – 400 – 600 – 700

1 – OPERATING PRINCIPLE

2 – HYDRAULIC SYMBOL

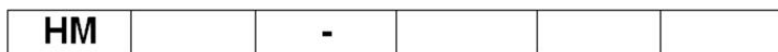


- The HM manometers are devices that allow the measurement of pressure in hydraulic circuits, even with pulsations and vibrations;
- Can be supplied with straight, rear or flanged threads.
- They are available in 9 different classes of pressure.
- Box in stainless steel and interior made of brass.
- Filling with glicerín.

3 – TECHNICAL DATA

Pressure	bar	10 – 30 – 50 – 100 – 200 – 250 – 400 – 600 – 700
Ambient temperature	°C	-20 to +60
Fluid temperature		
Storage temperature		
Diameters	mm	62 – 100
Material	Box	Stainless steel
	Internal	Brass
Connection	Ø62	1/4" NPT or 1/4" BSP
	Ø100	1/2" NPT or 1/2" BSP

4 – IDENTIFICATION



Manometer

Diameter:

- 62 = 62 mm
- 100 = 100 mm

Pressure scale:

- 10 = 0 to 10 bar
- 30 = 0 to 30 bar
- 50 = 0 to 50 bar
- 100 = 0 to 100 bar
- 200 = 0 to 200 bar
- 250 = 0 to 250 bar
- 400 = 0 to 400 bar
- 600 = 0 to 600 bar
- 700 = 0 to 700 bar

Model:

- R = Straight connection
- T = Rear connection (only for diameter 62)
- F = With flange and rear connection

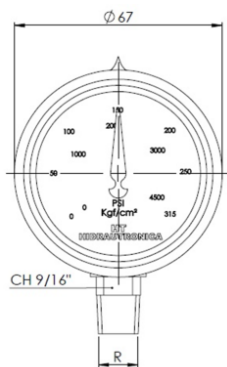
Thread¹⁾:

- N = NPT
- B = BSP

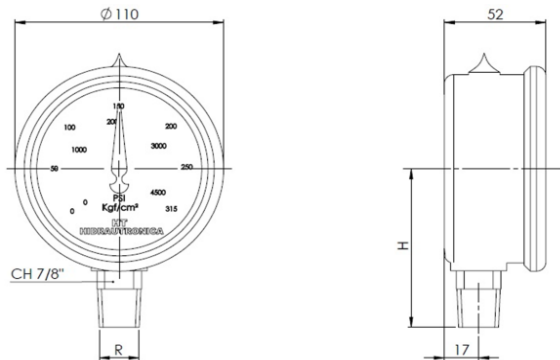
1 – For values of connection threads, see item 5, Dimensions.

5 – DIMENSIONS

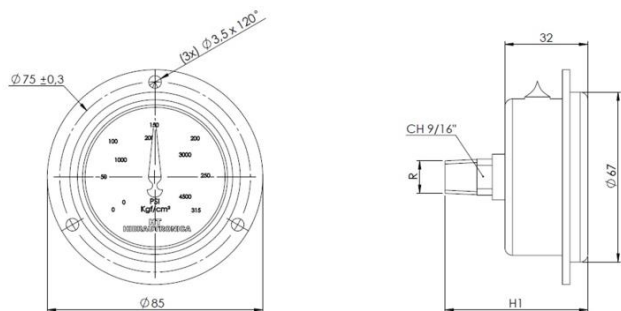
- HM65...R:



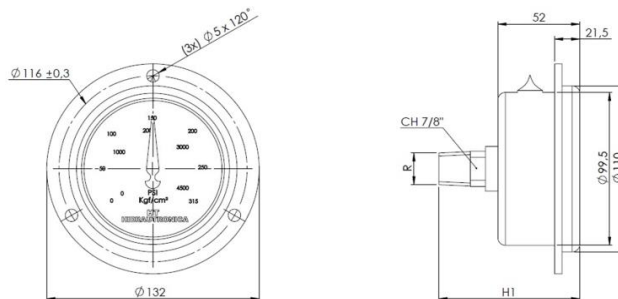
- HM100...R:



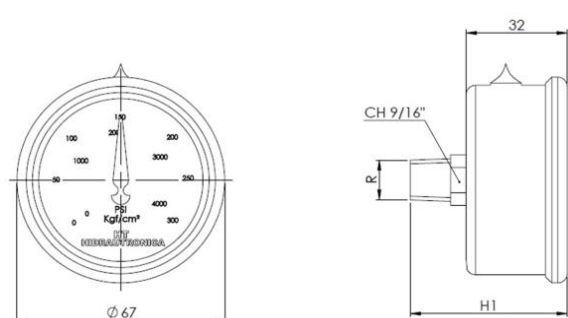
- HM65...F:



- HM100...F:



- HM65...T:



-	HM62...R		HM62...F		HM62...T		HM100...R		HM100...F	
	1/4"						1/2"			
R	NPT	BSP	NPT	BSP	NPT	BSP	NPT	BSP	NPT	BSP
H	51	50	51	50	51	50	82.5	83	82.5	83
H1	52	51	52	51	52	51	80.5	81	80.5	81

Hole for the panel

62mm	100mm
Ø65,5 ^{±1,0}	Ø104 ^{±2,0}

1 – HT reserves the right to change information of this catalog without previous warning.

2 – Copy is forbidden.

3 – If not indicated, dimensions in millimetres.

