

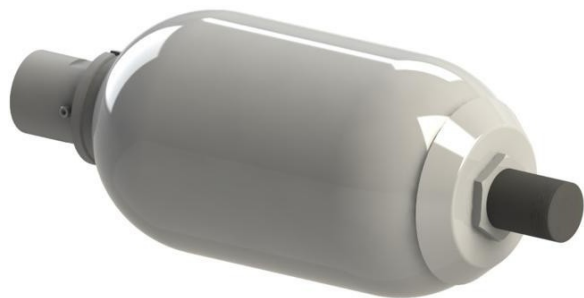
HBAX - 210 - INOX

BLADDER ACCUMULATOR

ASME

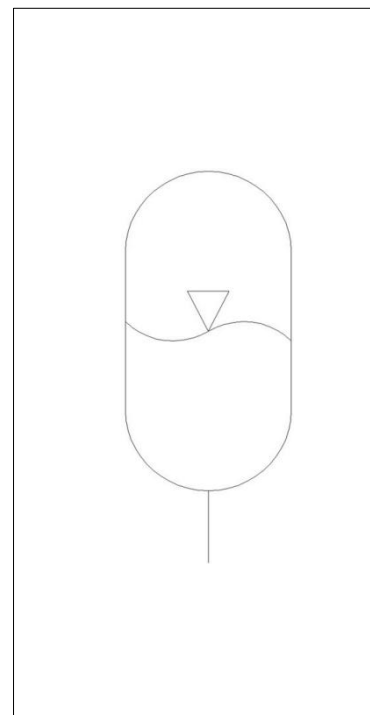
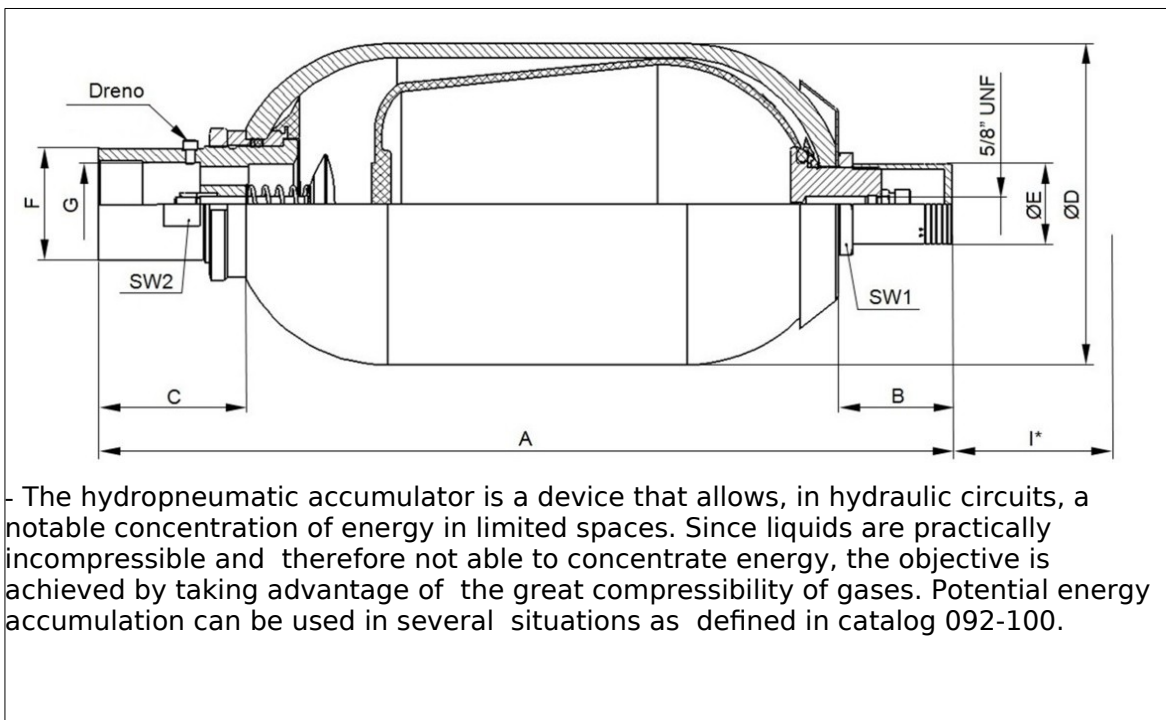
Maximum working pressure PS: 80 / 140 / 210 bar

Nominal capacity: 10 to 50 liters



1 - OPERATING PRINCIPLE

HYDRAULIC SYMBOL

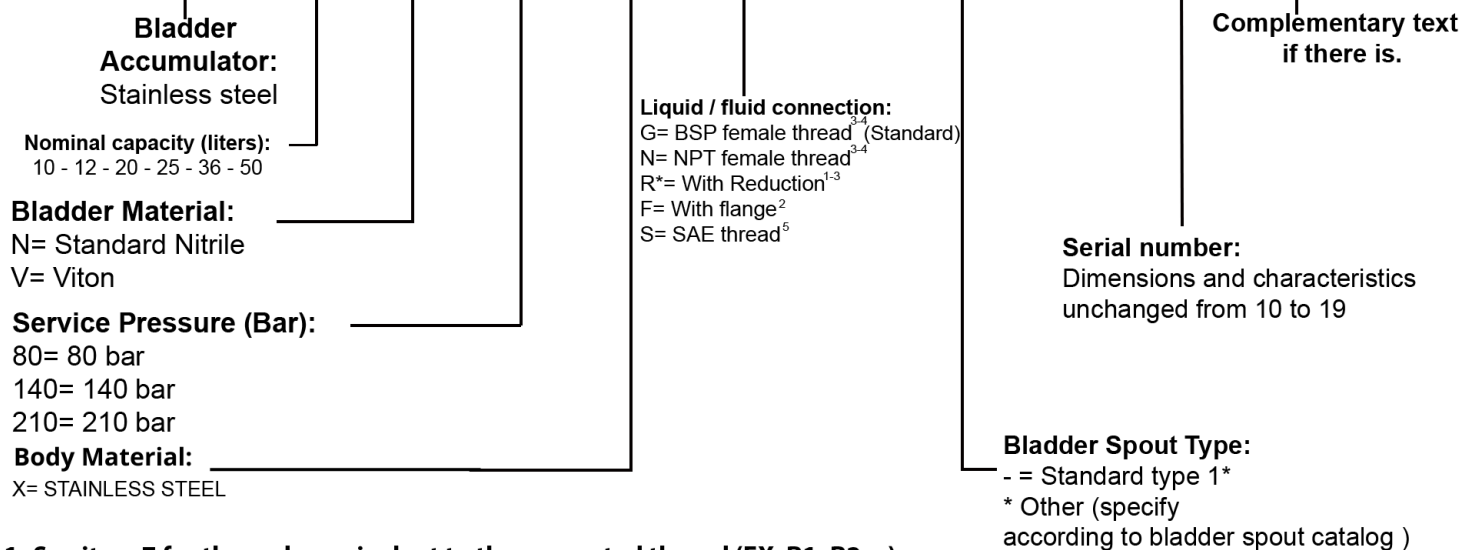


2 - DIMENSIONS

Model	Max. Work pressure (bar)	Gas volume (liters)	fluid connection G/P	A	B	C	∅D	∅E	∅F	H	I*	SW 1	SW 2
HBAX 10	80 / 140 / 210	7,5	2"	566±11	60	101	224+2	55	77	1 1	140	70	70
HBAX 12		9		625±13									
HBAX 20		16,5		716±20			220+2						
HBAX 25		20		876±20									
HBAX 36		28		1041±30									
HBAX 50		41,5		1391±35									

3- NOMENCLATURE

HBAX				X						10		-
-------------	--	--	--	----------	--	--	--	--	--	-----------	--	----------



1- See item 7 for the code equivalent to the requested thread (EX: R1, R2...)

2- Inform the flange reference in complementary text

3- For stainless steel valves for accumulators from 10 to 50 liters, the threads available are: G= Female Thread 1.1/2" BSP;

P= Female thread 1.1/2" NPT and R (except R5 and R10)

4- See table item 2 connection dimensions according to the accumulator volume.

5- Inform thread in the complementary text.

4- PERFORMANCE

Maximum working pressure PS	80 / 140 / 210 bar
PT test pressure	PS x 1,5 bar
min. temperature range and max. TS	-40°C a +120°C (may suffer restrictions according to bladder material)
Nominal capacity	10 to 50 liters

5- CHARACTERISTICS

The standard version includes:

- Stainless steel body.
- Stainless steel valves.
- G liquid connection with ISO 228 female thread.
- Bladder and seals in standard nitrile rubber N.
- Test and build according to ASME SECTION VIII DIV. 1.
- Precharge with nitrogen to +/- 15 bar (other values available if specified when ordering).
- Standard #1 bladder spout with gas valve (pre-charge) 5/8" male thread – UNF.

On request, the accumulator can be supplied with:

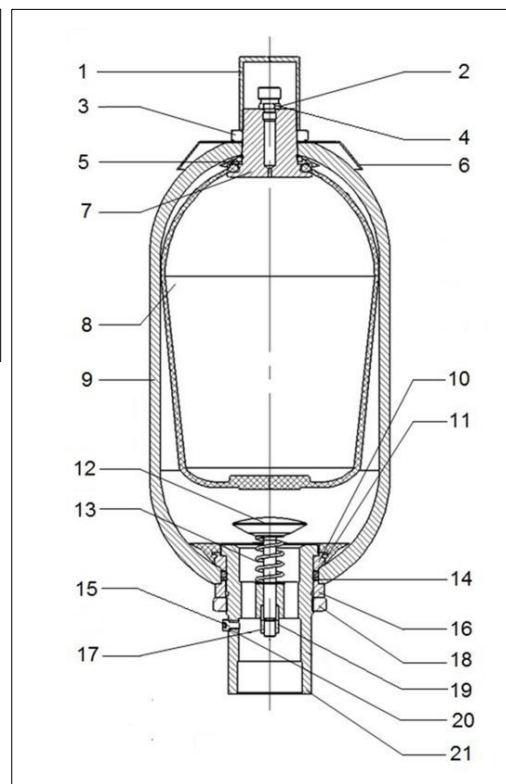
- R reduction with ISO 228 thread (BSP) for the diameters indicated in the table, with other threads to be specified or blind.
- Bladder spout and special gas (pre-charge) valve as per bladder catalog 098-190 or 098-220.

6- COMPONENTS AND SPARE PARTS

The table below lists the accumulator components and, for each model, the part number to be used when ordering spare parts. **THIS NUMBER IS VALID ONLY FOR THE STANDARD VERSION.**

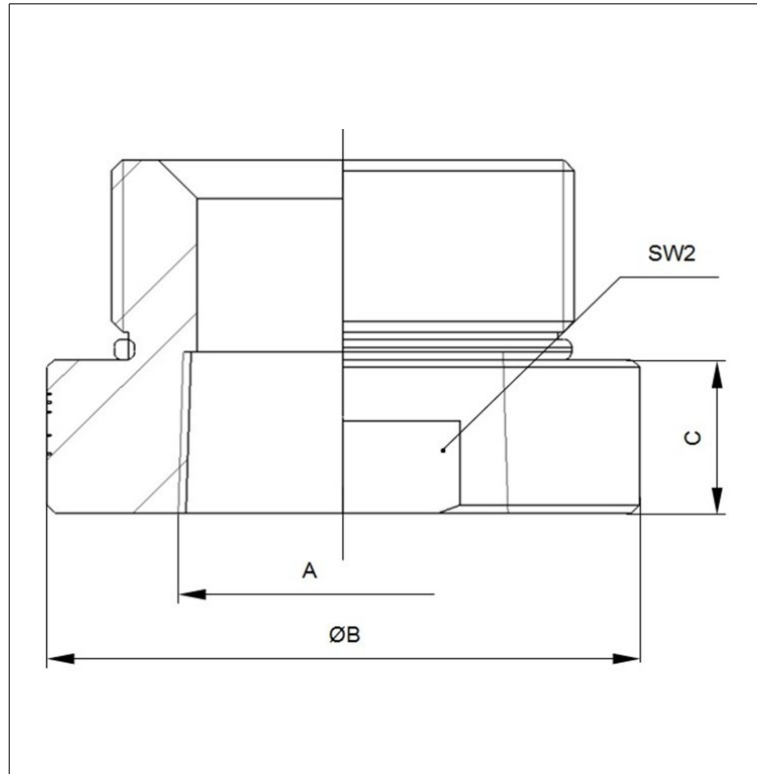
For all versions other than the standard, the manufacturer's serial number and material must be provided.

The bladder must be ordered according to the instructions provided in catalog 098-190 or by giving the accumulator identification code or the manufacturer's serial number.



Item	Description	Pçs	Models	
			HBAX 10-15-20-25-36-50	
1	Protective cover	1		H120101X
2	Gas filling valve	1		H090201X
3	Gas valve fixing nut	1		H120301X
4	Gas valve seal	1		H090401X
5	Rubber ring	1		H120501X
6	Nameplate	1		H120601X
7	Gas valve body	1		H120701X
8	Bladder	1	See detailed designation of catalog 098-190	
9	Accumulator body	1	Check with HT's commercial sector	
10	Split ring	1		H121001X
11	Joins	1		H121101X
12	Fungiform valve	1		H121201X
13	Spring	1		H121301X
14	Backrest ring	1		H121401X
15	Drain screw	1		H121501X
16	Adjustment ring	1		H121601X
17	Self-locking nut	1		H121701X
18	Fluid valve nut	1		H121801X
19	Cushion bushing	1		H121901X
20	Gasket for drain screw	1		H122001X
21	Fluid valve body	1		H122101X
Group - Full bladder nipple (items 1, 3, 5 and 7)		1		H122201X
Group - Valve Complete fluid (items 10 to 21)		1		H122301X
Seal kit		1	H122401X	H090401X H121101X H121401X
Repair kit		1	H122501X	H090401X H121101X H121401X H121001X H122001X

7- REDUCTIONS



Volume	Reference	A	ØB	C	SW2
10 a 50 (liters)	R1 R2 R3 R4 R5 R6 R7 R8 R9 R10 RE ¹	1/2" BSP 3/4" BSP 1" BSP 1.1/4" BSP 1.1/2" BSP 1/2" NPT 3/4" NPT 1" NPT 1.1/4" NPT 1.1/2" NPT Especial	77	11	70

1 - If the desired thread is not in the list, indicate RE in the code and inform the thread in complementary text.

- 1 - For general information, choice of battery and more common applications, consult catalog 092-100.
- 2 - HT reserves the right to change the information contained in this catalog without prior notice.
- 3- Prohibited reproduction.
- 4- If not indicated, dimensions in millimeters.

