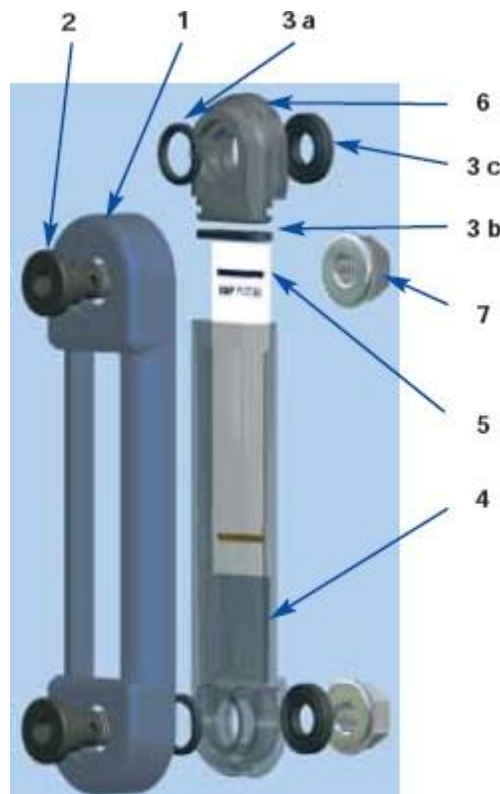




LVA

VISUAL LEVEL GAUGE WITH THERMOMETER

1 – MATERIALS



1	Cover	Polyamide
2	Screws	Galvanized steel
3	Seals	NBR
4	Lens	Polyamide
5	Nameplate	Painted aluminium
6	Terminal cap	Nylon
7	Nuts	Galvanized steel

2 – TECHNICAL FEATURES

Size	Weight	Screw tightening torque
LVA 10	0,13 kg	15 N.m
LVA 20	0,18 kg	
LVA 30	0,23 kg	

3 – IDENTIFICATION



Size: _____
10 - 20 - 30

Accessories: _____
T = with thermometer

Seal: _____
A = NBR

Cover:
P = polyamide cover

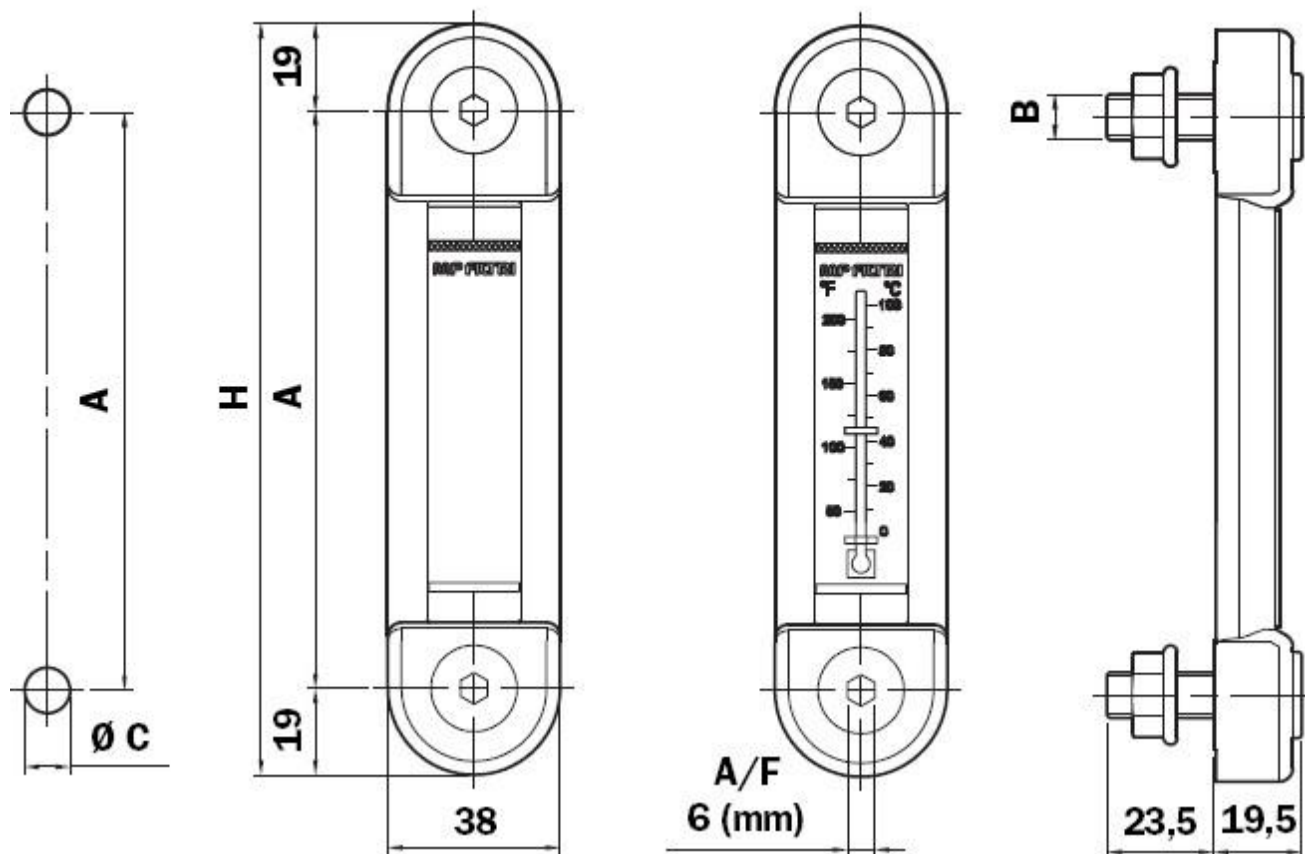
Connection:
M10 = screw M10
M12 = screw M12
U12 = screw 1/2" UNC

Options:
S01 = with nuts

4- DIMENSIONS

Reservoir
holes

LVA.....T



Size	A	H
LVA 10	76	114
LVA 20	127	165
LVA 30	254	292
Connection	B	C
LVA..... M10	M10	10,5

1 - HT reserves the right to change information of this catalog without previous warning.

2 - Copy is forbidden.

3 - If not indicated, dimensions in millimetres.

