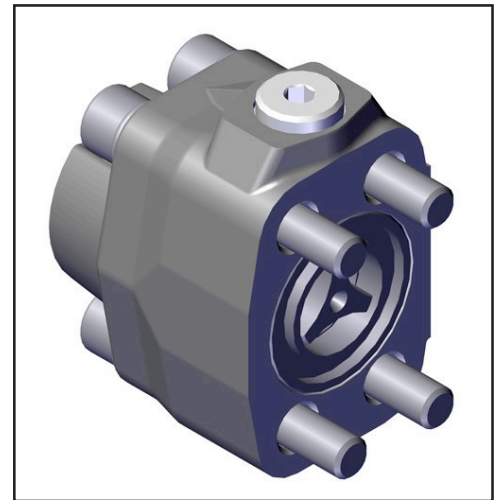


Non-Return Valve

NRV-Type



Key Features:

- Flange and valve integrated in the same body
- Connection for circuit pressure reading
- Easy to use
- Can be used with Berarma Size 2 and 3 pumps (only 3000 series), but thanks to their modular design they can be installed in any system

Series Name	Dimensions	Nominal Flow Rate (L/min)	Maximum Operating Pressure (bar)	Opening pressure (bar)
01 NRV 2 L M PL	1" SAE J518 3000 series DN25	250	300	1
01 NRV 3 L M PL	1"1/4 SAE J518 3000 series DN32	350	300	1
01 NRV 2 H M PL	1" SAE J518 6000 series DN25	250	420	1
01 NRV 3 H M PL	1" 1/4 SAE J518 6000 series DN32	350	420	1

CONTENTS

GENERAL DESCRIPTION	E-3
ORDERING CODE	E-4
TECHNICAL DATA	E-4
OVERALL DIMENSIONS (3000 SERIES)	E-5
OVERALL DIMENSIONS (6000 SERIES)	E-6

WARNING

All Berarma pumps have been carefully checked during manufacture and subjected to stringent testing cycles before shipment. To achieve optimum performance, avoid problems and maintain the warranty, the installation instructions enclosed with each pump sold must be strictly observed.

NOTES

Before selection and/or use of any Berarma product, it is important that the purchaser carefully analyses all aspects of its application and reviews the information in the current Berarma Technical-Sales catalogues. Due to the many different operating conditions and applications for Berarma products, the purchaser, through their own analysis and testing, is solely responsible for making the final selection of the products and assuring that all performance and safety requirements are met.

Berarma S.r.l. accepts no responsibility for any editing mistakes in this catalogue.

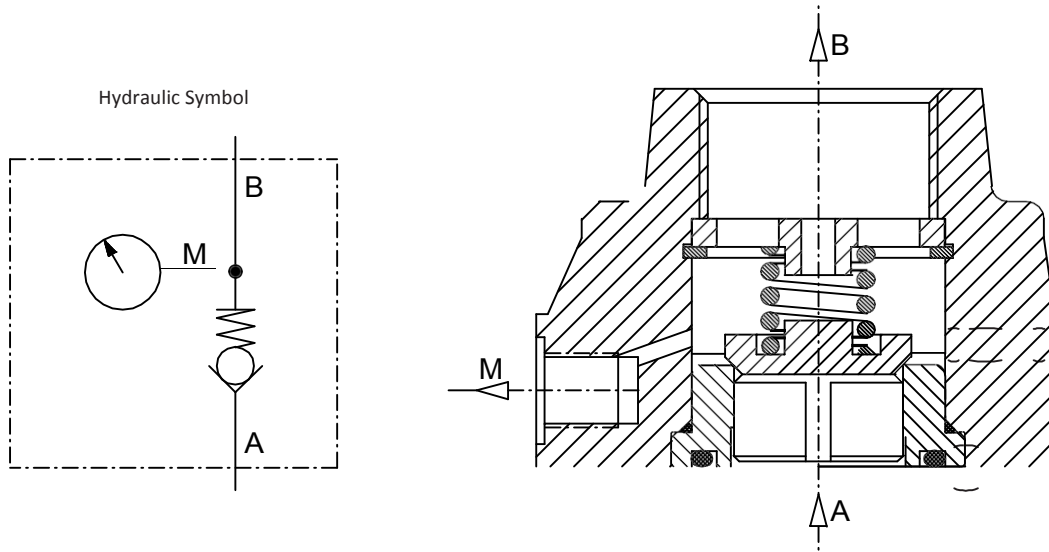
Berarma S.r.l. reserves the right to modify the products and data contained in this catalogue at any time and without prior notice.

GENERAL DESCRIPTION

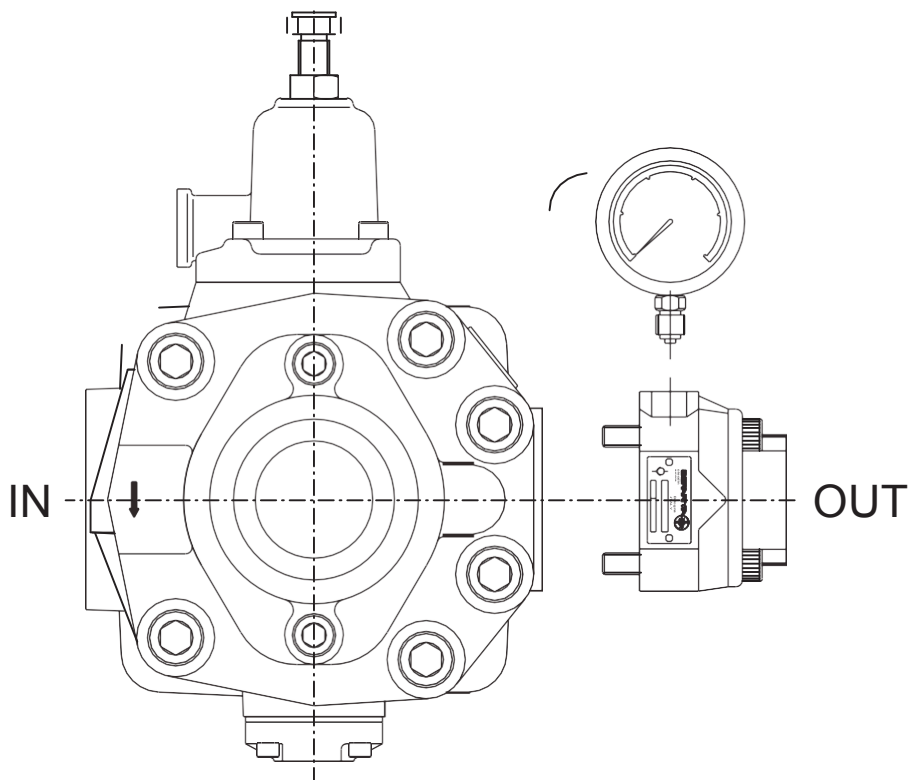
Berarma NRV non-return valves (check valves) are produced with an SAE J518 (3000 series and 6000 series) configuration with BSP thread ports.

The integration of valve and flange in the same body (where a port connection for circuit pressure reading is housed) makes them easy and cheap to use.

These valves are designed to be used on Berarma Size 2 and Size 3 pumps (only 3000 series), but thanks to their modular design can be installed in any other system with an SAE J518 configuration with 1" (NRV 2) or 1"1/4 (NRV 3) BSP thread.



A - Inlet
B - Outlet
M - Pressure gauge port connection



ORDERING CODE

Series/ Name	Size	Series	Supplies	Pressure Port
01 NRV			M	PL

Code	Size
2	DN 25 G 1"
3	DN 32 G 1" 1/4

Code	Series
L	3000 Series
H	6000 Series

Code	Supplies
M	Supplied with NBR O-Ring and metric screws

Code	Pressure Port
PL	Circuit pressure (after closing)

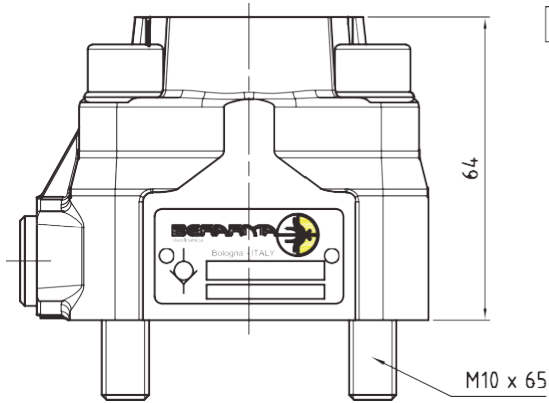
Ordering code example:

- 01 NRV 2 L M PL
- 01 NRV 3 L M PL
- 01 NRV 2 H M PL
- 01 NRV 3 H M PL

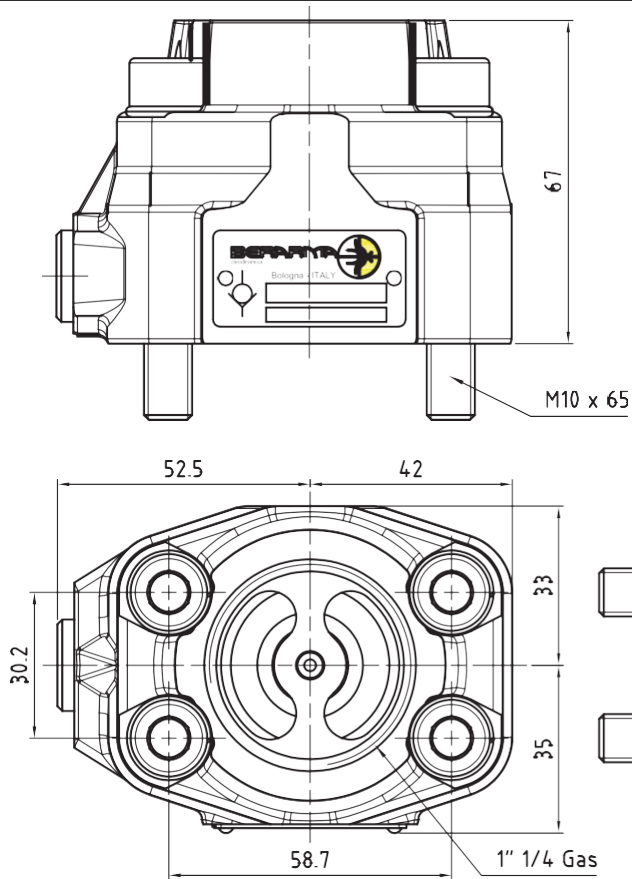
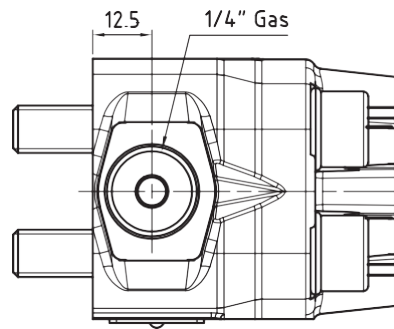
TECHNICAL DATA

ORDERING CODE	01 NRV 2 L M PL	01 NRV 3 L M PL	01 NRV 2 H M PL	01 NRV 3 H M PL
Series	3000		6000	
Nominal size (DN)	DN 25	DN 32	DN 25	DN 32
Nominal flow (L/min)	250	350	250	350
Maximum working pressure (bar)	300		420	
Opening pressure (bar)	1			
Hydraulic fluid	HM hydraulic oil according to ISO 6743/4; HLP hydraulic oil according to DIN 51524/2; HFD-U organic esters according to ISO 6743/4 (Quintolubric 888); for other fluids contact Berarma Technical-Sales Service			
Viscosity range (cSt, mm ² /s)	10 - 380			
Fluid temperature range (°C)	-10 / +80			
Weight (kg)	1.4	1.8	1.7	2.4
For different operating conditions, please contact Berarma Technical Service				

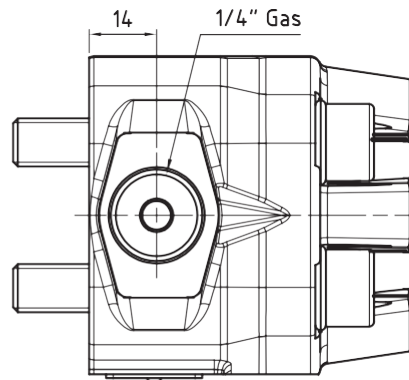
OVERALL DIMENSIONS (3000 SERIES)



Code **01 NRV 2 L M PL**



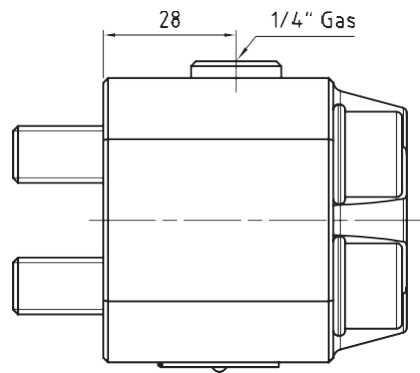
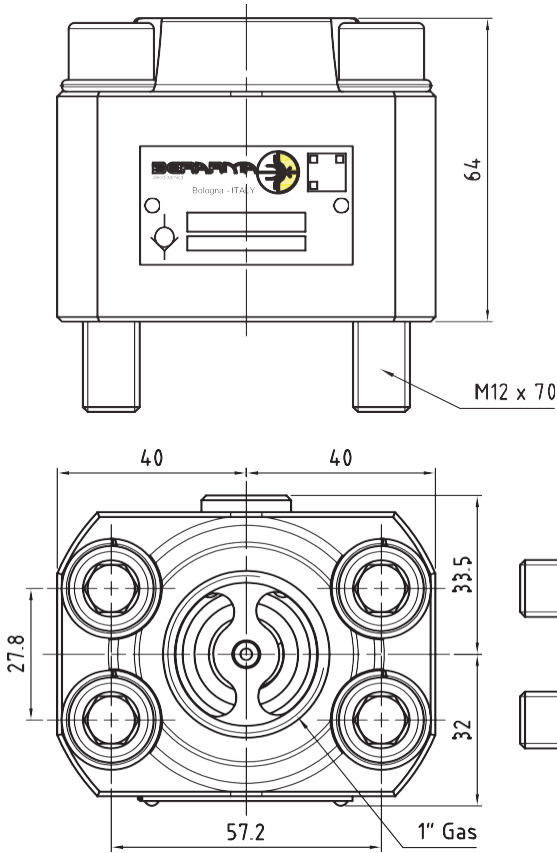
Code **01 NRV 3 L M PL**



OVERALL DIMENSIONS

OVERALL DIMENSIONS (6000 SERIES)

Code **01 NRV 2 H M PL**



Code **01 NRV 3 H M PL**

