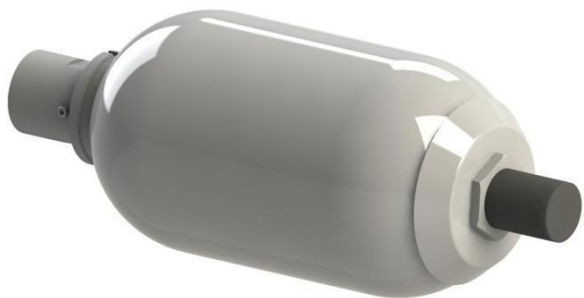


# HBAX - 210 - INOX

BLADDER ACCUMULATOR

ASME

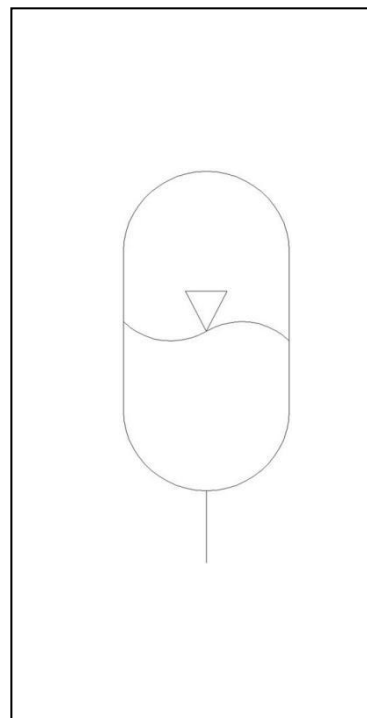
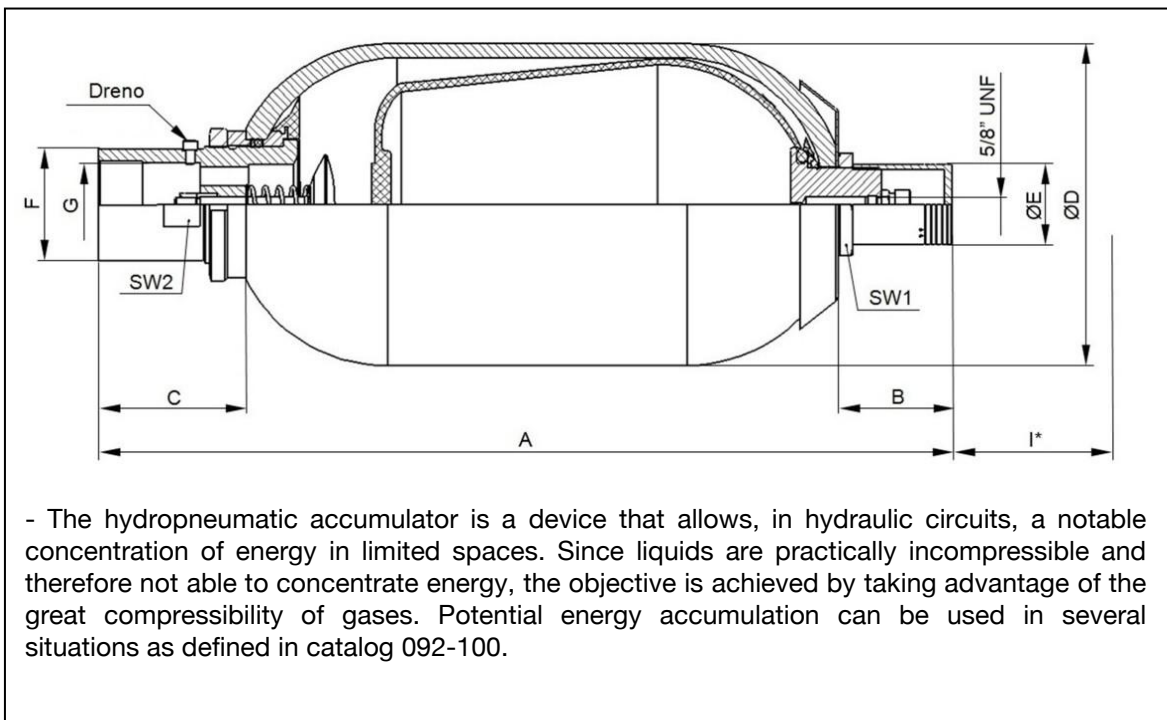


Maximum working pressure PS: 80 / 140 / 210 bar

Nominal capacity: 10 to 50 liters

## 1 - OPERATING PRINCIPLE

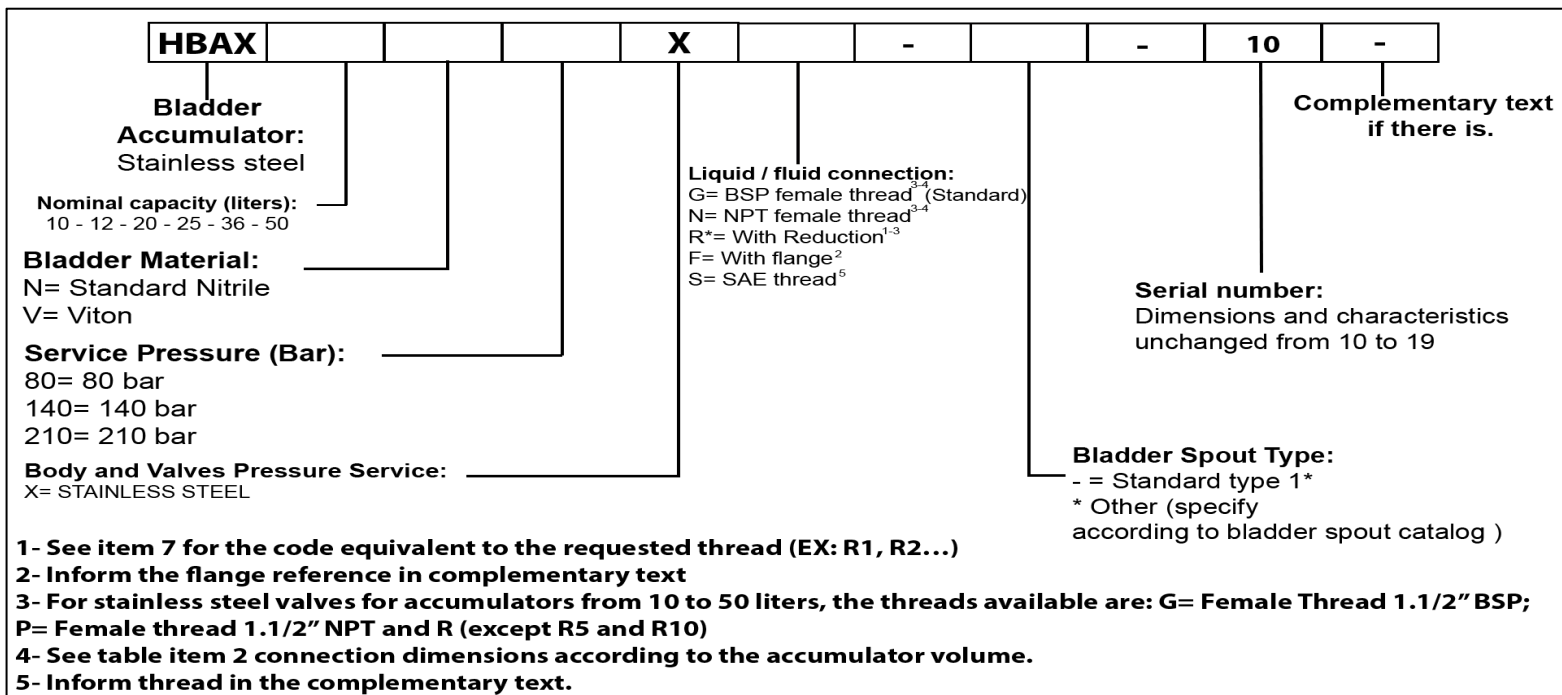
## HYDRAULIC SYMBOL



## 2 - DIMENSIONS

Model	Max. Work pressure (bar)	Gas volume (liters)	fluid connection G/P	A	B	C	øD	øE	øF	H	I*	SW1	SW2
AS 10	80 / 140 / 210	7,5	2"	566±11	60	101	224+-2	55	77	11	140	70	70
AS 12		9		625±13									
AS 20		16,5		716±20			220+-2						
AS 25		20		876±20									
AS 36		28		1041±30									
AS 50		41,5		1391±35									

### 3- NOMENCLATURE



### 4- PERFORMANCE

Maximum working pressure PS	80 / 140 / 210 bar
PT test pressure	PS x 1,5 bar
min. temperature range and max. TS	-40°C a +120°C (may suffer restrictions according to bladder material)
Nominal capacity	10 to 50 liters

### 5- CHARACTERISTICS

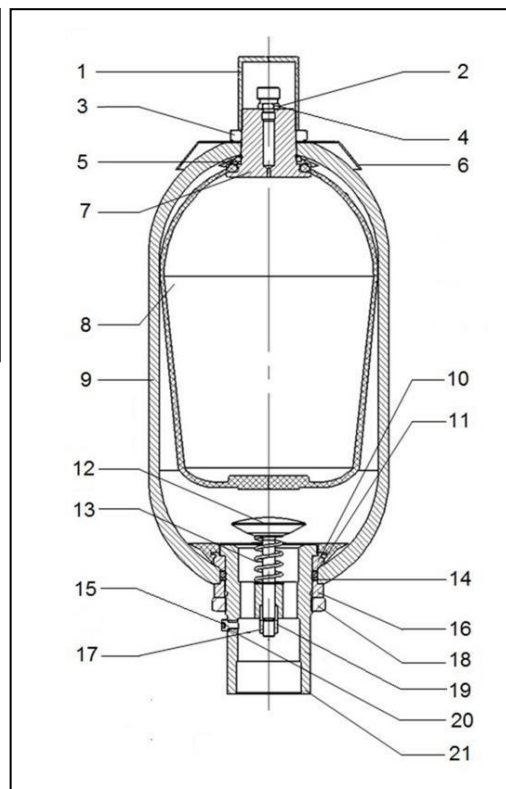
- The standard version includes:**
- Stainless steel body.
  - Stainless steel valves.
  - G liquid connection with ISO 228 female thread.
  - Bladder and seals in standard nitrile rubber N.
  - Test and build according to ASME SECTION VIII DIV. 1.
  - Precharge with nitrogen to +/- 15 bar (other values available if specified when ordering).
  - Standard #1 bladder spout with gas valve (pre-charge) 5/8" male thread – UNF.
- On request, the accumulator can be supplied with:**
- R reduction with ISO 228 thread (BSP) for the diameters indicated in the table, with other threads to be specified or blind.
  - NR13 medical record.
  - Bladder spout and special gas (pre-charge) valve as per bladder catalog 098-190 or 098-220.

## 6- COMPONENTS AND SPARE PARTS

The table below lists the accumulator components and, for each model, the part number to be used when ordering spare parts. THIS NUMBER IS VALID ONLY FOR THE STANDARD VERSION.

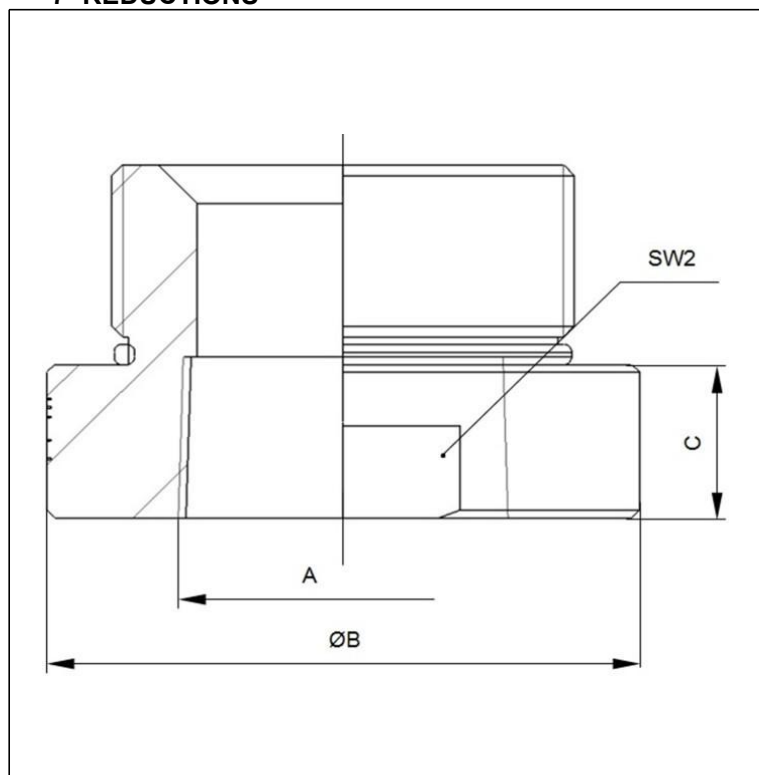
For all versions other than the standard, the manufacturer's serial number and material must be provided.

The bladder must be ordered according to the instructions provided in catalog 098-190 or by giving the accumulator identification code or the manufacturer's serial number.



Item	Description	Pçs	Models	
			HBAX 10-15-20-25-36-50	
1	Protective cover	1	H120101X	
2	Gas filling valve	1	H090201X	
3	Gas valve fixing nut	1	H120301X	
4	Gas valve seal	1	H090401X	
5	Rubber ring	1	H120501X	
6	Nameplate	1	H120601X	
7	Gas valve body	1	H120701X	
8	Bladder	1	See detailed designation of catalog 098-190	
9	Accumulator body	1	Check with HT's commercial sector	
10	Split ring	1	H121001X	
11	Joins	1	H121101X	
12	Fungiform valve	1	H121201X	
13	Spring	1	H121301X	
14	Backrest ring	1	H121401X	
15	Drain screw	1	H121501X	
16	Adjustment ring	1	H121601X	
17	Self-locking nut	1	H121701X	
18	Fluid valve nut	1	H121801X	
19	Cushion bushing	1	H121901X	
20	Gasket for drain screw	1	H122001X	
21	Fluid valve body	1	H122101X	
Group - Full bladder nipple (items 1, 3, 5 and 7)		1	H122201X	
Group - Valve Complete fluid (items 10 to 21)		1	H122301X	
Seal kit		1	H122401X	H090401X H121101X H121401X
Repair kit		1	H122501X	H090401X H121101X H121401X H121001X H122001X

## 7- REDUCTIONS



Volume	Reference	A	ØB	C	SW2
10 a 50 (liters)	R1	1/2" BSP	77	11	70
	R2	3/4" BSP			
	R3	1" BSP			
	R4	1.1/4" BSP			
	R5	1.1/2" BSP			
	R6	1/2" NPT			
	R7	3/4" NPT			
	R8	1" NPT			
	R9	1.1/4" NPT			
	R10	1.1/2" NPT			
	RE <sup>1</sup>	Especial			

1 – If the desired thread is not in the list, indicate RE in the code and inform the thread in complementary text.

1 – For general information, choice of battery and more common applications, consult catalog 092-100.

2 – HT reserves the right to change the information contained in this catalog without prior notice.

3– Prohibited reproduction.

4– If not indicated, dimensions in millimeters.

